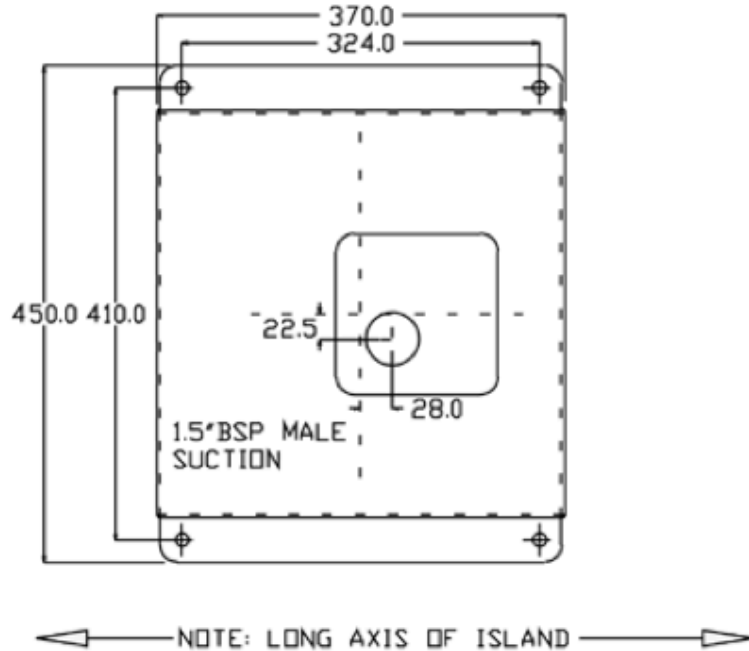
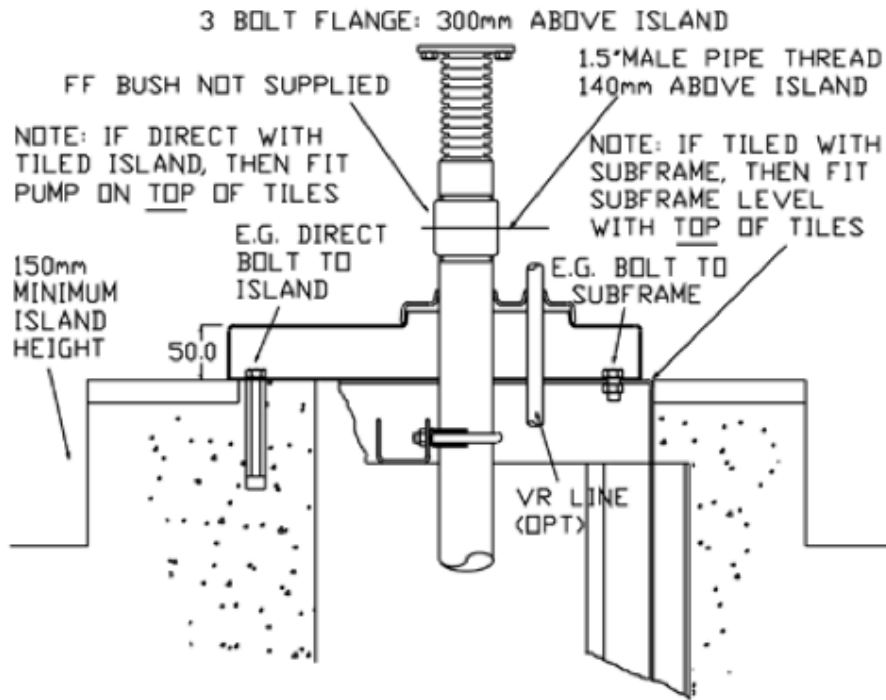


INSTALLATION PATTERN FOR
MOND SUCTION PUMP



Note: If single side display, nozzle on right hand side